



REVIEW OF TOPICAL ENLARGEMENT IN LASER BEAM MACHINING

Sahith Reddy Madara*, Dr. M. Chithirai Pon Selvan** & S. S. Sampath***

* UG Scholar of Aerospace Engineering, Amity University, Dubai, United Arab Emirates

** Faculty Member of Mechanical Engineering, Amity University, Dubai, United Arab Emirates

*** Faculty Member of Mechanical Engineering, Manipal University, Dubai, United Arab Emirates

Cite This Article: Sahith Reddy Madara, Dr. M. Chithirai Pon Selvan & S. S. Sampath, "Review of Topical Enlargement in Laser Beam Machining", International Journal of Engineering Research and Modern Education, Volume 2, Issue 2, Page Number 6-14, 2017.

Copy Right: © IJERME, 2017 (All Rights Reserved). This is an Open Access Article distributed under the Creative Commons Attribution License, which permits unrestricted use, distribution, and reproduction in any medium, provided the original work is properly cited.

Abstract:

Laser beam technology is a standout amongst the most generally utilized warm vitality based non-contact sort progress machining process which can be connected for entire scope of materials. The cost of slicing hand-to-machine materials by customary mechanical machining procedures is high because of the low material expulsion rate and short device life, and a few materials are unrealistic to be cut by the traditional machining process. Laser beam/pillar is focused for softening and vaporizing the undesirable material from the parent material. It is reasonable for geometrically complex profile cutting and making smaller than usual openings in sheet metal. It gives portability to natives and cargo, among the locales of Europe and past, while being a motor for monetary development and employments. It is accordingly critical that development is accomplished in a feasible way, thinking about wellbeing and security worries and additionally unfriendly atmosphere pertinent and ecological impacts. Lasers are generally utilized as a part of assembling, correspondence, estimation and restorative. Vitality thickness of the laser beam/pillar can be adjusted by fluctuating the wavelength. This property has made the lasers capable for expelling to a great degree little measure of material and has prompted the utilization of lasers to produce little elements in work section constituents. The basic investigation of different hypothetical and exploratory reviews is utilized to portray the execution of laser pillar miniaturized scale machining on a portion of the propelled manufacturing materials. This paper gives a survey on the different research activities done in laser beam technology. The substance of paper contains a concise presentation of recent development in laser beam and its improvement.

Key Words: Laser Beam Machining, Laser Welding, Assist Gas, Laser Welding, Heat Effected Zones, Kerf Width, Water Jet & Quantum Cascade Lasers

1. Introduction:

Laser Beam machining (LBM) is a standout amongst the most broadly utilized warm vitality based non-contact sort progress machining process which can be connected for entire scope of materials. Laser shaft is focused for softening and vaporizing the undesirable material from the parent material. It is reasonable for geometrically complex profile cutting and making small gaps in sheet metal. Among different kind of lasers utilized for machining in ventures, CO₂ and Nd:YAG lasers are generally settled. This paper gives a survey on the different research exercises completed in LBM handle (Fig.1). The substance of paper incorporates a concise presentation of laser and its improvement, distinctive LBM setups and LBM application for various classification of materials. Significant territories of LBM inquire about have been examined under the headings of Literature studies, displaying and streamlining considers. The laser beam centers optical vitality on the surface of the work piece. A laser beam/shaft can be so capable when utilized with focal point framework that it can soften and vaporize precious stone as the vitality thickness can be of the request of 105 kW/cm² [1]. In [2] express that among the different progressed machining forms, laser shaft machining (LBM) is a standout amongst the most generally utilized warm based procedures connected for preparing a wide assortment of materials. In LBM the material is softened by concentrating the laser bar on the work-piece surface. It is a high vitality prepare that works rapidly on complex shapes and is relevant to all materials. This procedure produces no mechanical weight on the work-piece, lessens squander, gives an environmentally clean innovation, and can be adjusted to work in the small scale run.

Under liquid laser Beam machining (UL-LBM) is the progressed machining process where laser source is utilized for material evacuation in nearness of fluid. It can be connected to extensive variety of materials, for example, metals and non-metals, delicate and hard to machine materials for various operations, for example, penetrating, cutting and micromachining. Amid UL-LBM, the warm load and the flotsam and jetsam redeposition in the machined range are decreased because of higher particular warmth limit and warm conductivity of fluid than air. Along these lines, fluid diverts the abundance warm from the illuminated locale

speedier than air (Fig.2). Also, the greater part of the liquid material by and large breaks up in fluid, not resolidifying along the hole edge as in air. In this manner, the surface morphology of a gap bored in fluid is extraordinarily progressed. The opening decrease is enhanced amid this procedure. Because of fluid control, higher plasma weight is actuated. In this way, high perspective proportion small scale part is gotten. Additionally the removal rate is higher in fluid than air [3].

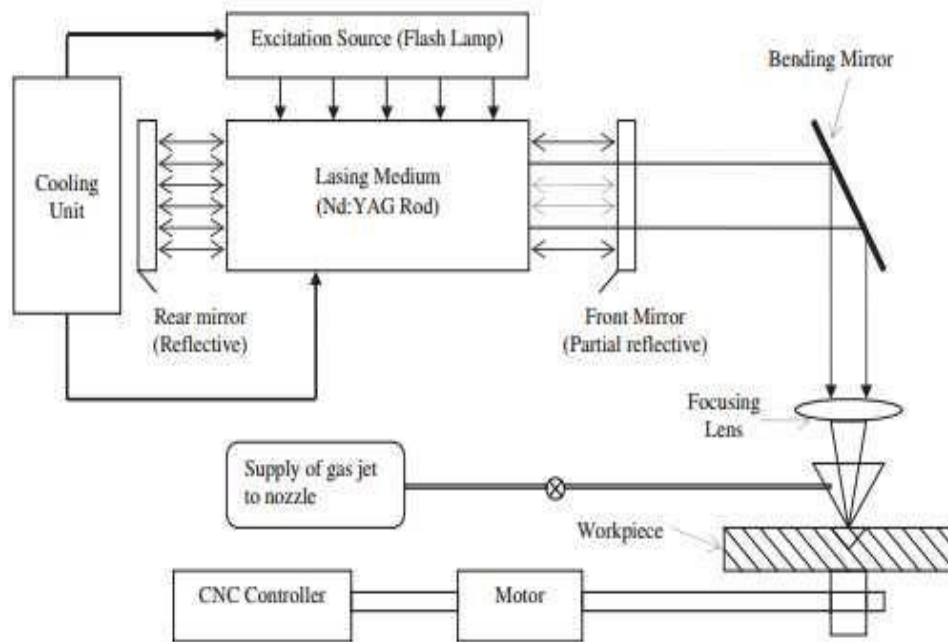


Figure 1: Schematic of Nd:YAG laser beam cutting system [1]

Laser Beam Machining can extensively consider as handling manages machining and material preparing like warmth treatment, alloying, cladding, sheet material twisting and so on. Such preparing is completed using the vitality of sound photons or laser pillar, which is practically changed over into warm vitality upon communication with a large portion of the materials. Many sorts of materials can be utilized as the heart of the laser which predominantly relies on upon the lasing medium which again gets characterized into strong state laser and gas state laser. Strong state lasers are usually RUBY-Chromium alumina composite, ND-Glass laser, ND-YAG laser which are by and large utilized as a part of material handling. Gas lasers are essentially of three sorts to be specific Helium-Neon, Argon, and CO₂. Laser machining should be possible when the power thickness of the shaft is significantly more prominent than the power lost by radiation, conduction and convection. The radiation should likewise enter and to be ingested into the material [4]. Despite the fact that CO₂ is all the more economically utilized, the Nd-YAG lasers offer certain advantages that are specific to them. In view of the test comes about distributed in writing, Dubey and Yadava (2008) found that Nd-YAG has some remarkable attributes. Despite the fact that the shaft energy of Nd-YAG laser is low, the bar power can be generally high because of littler heartbeat term and better centering conduct. Smaller kerf width, miniaturized scale estimate gaps, smaller warmth influenced zone (HAZ) and better cut edge kerf profile can be gotten in Nd-YAG laser shaft machining [5].

LBM being an adaptable procedure, the different information parameters can be changed to enhance the surface quality, diminished HAZ and other yield parameters and is generally utilized as a part of different businesses. Broad explores and trial considers are being performed in the field of LBM into request to enhance the procedure qualities such are recurrence of beat bars, beam polarization, bolster rate, cutting speed and surface unpleasantness. Investigative models are the best apparatuses for preparatory investigation of the procedure execution of an unpredictable procedure like LBM. In the vast majority of the LBM thinks about the correct arrangement based and numerical arrangement based expository models have been produced. Relapse investigation is not valuable for accurately depicting the non-direct complex connection between handle parameters and execution qualities. LBM process has a high MRR contrasted with other non-traditional machining procedures, for example, EDM. Despite the fact that MRR is high, the material is expelled at the cost surface quality. The surface quality is less because of the development of splashes and burrs which is unavoidable during the process time spent in LBM. The significant research regions in LBM are talked about in past areas. Scientists have contributed in various bearings yet because of complex nature of the procedure a considerable measure of works are as yet required to be finished. The vast majority of the distributed works are identified with laser cutting taken after by boring and micromachining however 3-D LBM like turning and

processing are as yet anticipating for mechanical utilize. The control of at least two laser bars at various points all the while is not a simple errand amid 3-D machining [6].

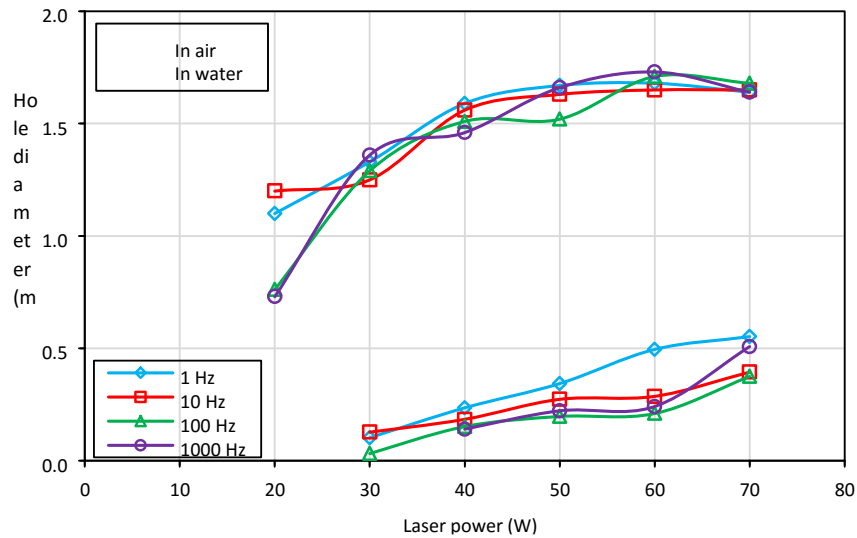


Figure 2: The effect of laser power on hole diameter at exit side during drilling in glass in air and water [3]

2. Literature Review:

In [7], Uenohara fundamentally discusses the most part manages the laser micromachining approach that uses a photonic nanojet (PNJ) to acknowledge machining with an element shaft breadth is a few hundred nanometres as far as possible through position control of the PNJ in the proliferation heading and fluence control. In an analysis, when the fluence was 7 mJ/cm, the gap measurement and profundity were changed by position control of the PNJ in the engendering bearing. The trial comes about mirrored the force dispersion of the PNJ in the spread heading. An opening distance across of 0.18 mm, which was beneath as far as possible for a wavelength of 800 nm, was acknowledged by fluence control and position control of the PNJ in the engendering heading. In [8], Prabhakaranpredominantly talks about the criticality in gas laser process and its unpredictability in slicing nonferrous materials because of their lesser assimilation rate of the laser beam. This paper talked about the exploratory examination on laser cutting of thick nonferrous metal sheet i.e. aluminum combination BS 1100 2mm thick sheet utilizing CO₂ laser. The information gathered are examined with the guide of Multiple Regression Analysis (MRA) and Gray Relational Analysis (GRA). The affirmation analyze is performed keeping in mind the end goal to demonstrate the proposed think about by utilizing the ideal parameters got utilizing dim social investigation system. The improved outcomes acquired out of GRA are tried by playing out an affirmation analyze.

In [9], Shilpesh Rajpurohitprimarily discusses the impact of Laser beam cutting utilizing multi-mode Ytterbium Fiber laser machine with consistent outflow was connected for gentle steel. On the cutting cross segment surface unpleasantness and kerf width was measured. Their variety was investigated with laser control, cutting pace and gas weight. A full factorial exploratory outline was connected for two specific estimations of the surface unpleasantness and the kerf width. From ANOVA they presumed that cutting pace was most critical parameter for surface harshness. In [10], Sagar Rajagepredominantly talks about the impact of Laser Beam Machining (LBM) handle parameters on surface harshness and kerf width while machining High-Carbon High-Chromium Steel (D3). The fundamental conclusion drawn from this paper are the parametric blend for ideal surface unpleasantness is LP1CS2-AGP1. The ideal parameter setting for the SR found (2300-900-0.7). So also Assist gas weight is the hugest component for kerf width amid LBM. Then Laser power and Cutting pace are sub noteworthy in affecting. The parametric mix for ideal kerf width is LP2-CS2-AGP1. The ideal parameter setting for the kerf width found (2400-900-0.7). The affirmation tests were directed utilizing the ideal mixes of the machining parameters acquired from Taguchi investigation.

In [11], Argademostly talks about the examining the impact of process parameters of CO₂ laser cutting, for example, cutting pace, input power and gas weight on the nature of the machined surface utilizing laser bar on stainless steel SS 409. CNC laser cutting operation is done under different trial conditions and the surface unpleasantness, kerf width were measured. 9 levels of analyses had been finished. Dark Relational Grade for SS 409 increments with increment in laser power and cutting pace and abatements with increment in gas weight. Plan of investigations is executed by utilizing a Taguchi technique outline. The impact of the procedure parameters on reaction have examined by methods for primary impact plots which are created by utilizing ANOVA. The ideal blend for SS 409 are laser control = 1500 watt, cutting pace =800 mm/min and Gas weight = 0.6 bar.

In [12], Nikhil Bharadwaj predominantly discusses the laser beam cutting (LBC) which can be effectively utilized for the cutting of conductive and nonconductive materials. Laser machining is an appealing other option to customary machining of Al-2024 on the grounds that basic operation parameters in flight related industry, for example, handling time, adaptability, sully and complete can be made strides. At the point when ideal concentration position is focused in the work piece, there is an ideal communication between the quantity of required sweeps, the breadth on the LASER beam contribution and also on the yield side, and the related flank edge. The ideal bolster rate acquired from literature, adds up to 8 mm/s. These outcomes in a heartbeat cover of 97.7 %. Consequently the significance of LBM in aviation applications concentrates more in laser bar boring/drilling. In [13], C. Leone completed work on laser cutting of 6061-T6 aluminum compound sheets by methods for a 150 W multimode beat Nd:YAG laser. Straight sweeps utilizing the greatest normal power and diverse cutting headings and pulse lengths were executed to gauge the most extreme cutting paces. The cutting tests were performed by differing pillar/beam travel heading, beat length and cutting rate. A 150 W multimode beat Nd:YAG (Neodymium doped Yttrium Aluminum Garnet) laser permits to cut 1 mm-thick 6061-T6 sheets with slicing speed up to 700 mm/min, getting tight kerfs ($< 200 \mu\text{m}$) with a decent decrease point ($< 5^\circ$) and low dress stature (around $40 \mu\text{m}$).

In [14], Guang Yang for the most part examines about the Laser joining of aluminum amalgam alloy 6111 boards with the expansion of AA 4047 filler wire was explored in this investigation utilizing three sorts of laser bar, single-shaft, in-line bar, and cross-bar. To think about the impact of laser beam arrangement plan on the weld qualities, the transient warmth stream, cooling rate, and cementing rate were broke down by 3-D limited component warm models utilizing ANSYS programming. Among the three laser bar setups, cross-pillar laser produced the most noteworthy cooling rate and the smallest combination zone while in-line shaft laser prompted the least cooling rate and the biggest liquid pool estimate. In spite of the fact that the cross-bar joint had a generally low quality and flexibility, the weld stayed in place when the substrate metal conveyed the heap and was distorted in the three-point twisting test. Cross-bar laser joining of non-stack bearing aluminum joints gave the best weld surface quality with worthy mechanical properties.

3. Most Recent Laser Beam Technologies:

In [15], Junqi Shen basically talks about the LBW used to join Ti-22Al-25Nb/TA15 divergent titanium amalgams. In the method of single laser shaft, the combination zone just comprised of B2 stage as a result of presence of b-stage stabilizer and quick cooling rate of LBW. O stage was framed in the combination zone while applying double shaft laser welding because of abatement of the cooling rate. The rigidity and prolongation were both expanded under double beam laser welding contrasted and those under single-bar laser welding (Fig.3). The Ti-22Al-25Nb/TA15 divergent compounds were welded by ceaseless single and double laser beam. The crack both situated at the combination zone at room temperature. The morphology was semi cleavage crack in single mode, while the morphology was dimple break in the method of double laser beam. While applying double beam laser welding, the normal elasticity of the welded joints was expanded from 943.2 MPa to 1011 MPa due to the development of O stage. The stretching was expanded from 3.56% to 5.67% due to the more profound and evener dimple. Every one of the joints cracked in the TA15 base metal and the morphology were dimple break at 550 C.

Optical researchers at the University of Arizona and the University of Central Florida have built up an innovation fit for sending high-power laser bars through the environment substantially more distant than was conceivable some time recently. The exploration is still in the research center stage, however one might be able to day direct electrical releases, for example, lightning, far from structures. As of now, high-power lasers, delivered with present day innovation basically vanish over separations more prominent than a couple inches, best case scenario when concentrated firmly, because of diffraction – a similar impact that makes a stick appear to "twist" when dunked into water. This makes them too short-extended for applications, for example, occupying/diverting lightning. The achievement lies in installing the essential, high-power laser pillar inside a moment light emission intensity. The improvement of the new innovation was bolstered by a five-year, \$7.5 million U.S. Branch of Defense give – granted to a gathering of scientists driven by Jerome Moloney, a UA arithmetic and optical sciences teacher. Like the rule of clamor wiping out earphones, the vitality loss of the essential laser shaft and the vitality supply from the dress laser pillar counteract each other. In the lab, the analysts could augment the scope of fiber lasers ten times – from around 10 crawls to 7 feet [16].

All Water Jet Sweden machines are worked for long life and superior. A gainful speculation for a long time of completive favorable position. These plan standards likewise incorporates the new multipurpose, section level T-display. To cut overwhelming materials with a more than 0.1 mm precision reliably a seemingly endless amount of time requests a substantial obligation machine plan that can oversee weight and withstand vibrations after some time. The heaviness of the steel outline guarantees machine strength. To choose wrong material on the casing configuration can cost a great deal in execution. Clients can without much of a stretch see the distinction by lifting off the cover boards. The huge steel light emissions T-demonstrate are intended to withstand vibrations and figure out how to flawlessly hold cutting instruments and extras. Water fly cutting is ecologically well disposed, yet it is an extreme domain for innovative machines, Moving parts are delicate to

wear from grating and water and simple upkeep is vital to execution and lifetime. On the T-display all movement framework is encased which secure machine execution, streamline support and draw out the machine lifetime. It is essential to have a steady and straight X and Y pivot development if the client needs a predictable cutting quality, else it is practically difficult to keep precision and resistance measures in a machine [18].

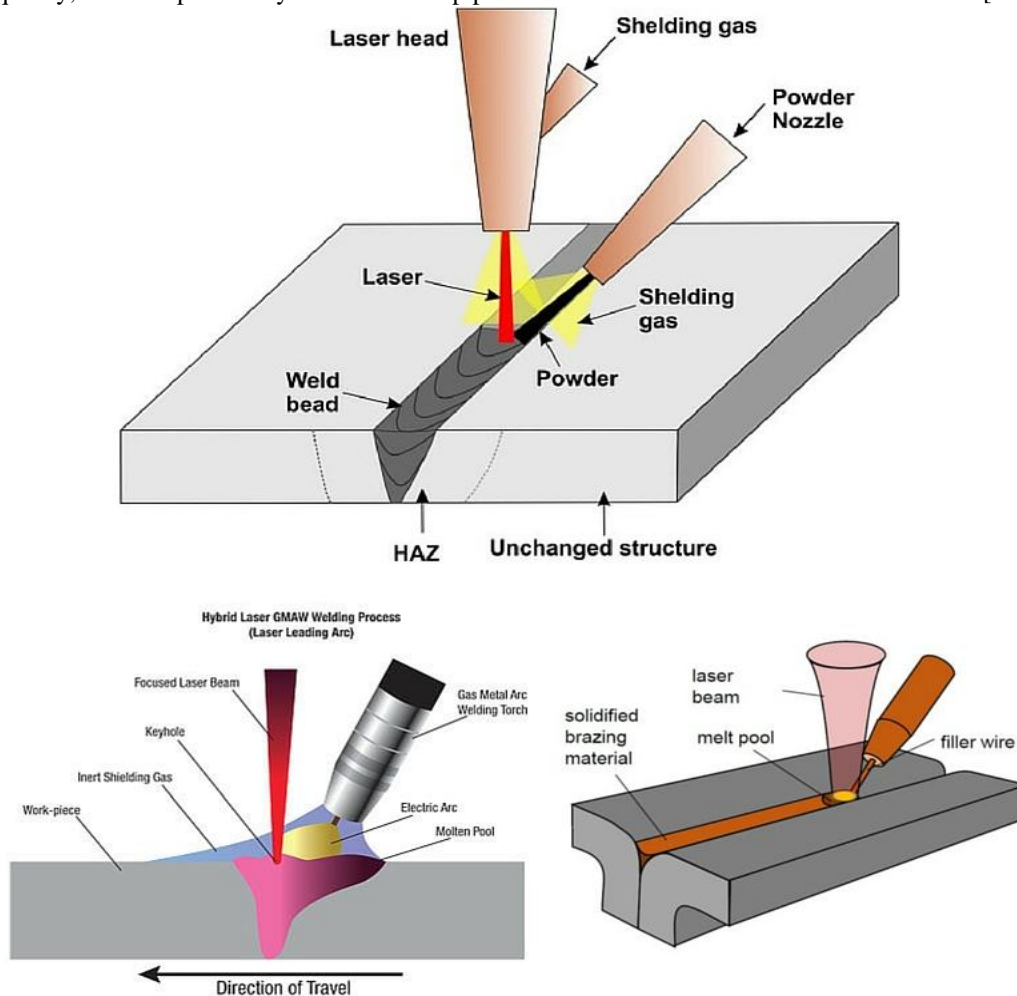


Figure 3: Laser Welding Technique [Source: <http://weldguru.com/laser-beam-welding/>]

Electron Beam Eng. Inc. (EBE), Anaheim, Calif., has been affirmed for the laser welding required in the hydraulic driven fuel arrangement of the Airbus A320neo motor. "We were drawn nearer to play out the mind boggling laser welding of the securing gadget inside the liquid coupling system that went into generation a year ago," said Grant Trillwood, general director at EBE. EBE (Electron Beam Engineering) developed the laser welding parameters and delivered cross-separated examples for testing and to affirm that the weld met the profundity and quality prerequisites for this application. The organization outlined a multiuse apparatus that is compatible for different sizes of nuts to help keep up on-time conveyance and an acknowledgment rate of more than 99.8 percent [19]. The streamlining deal with the electron beam flow of the ELI-NP Gamma Beam System has been portrayed in regards to machine affectability considers meaning to check the power of the source as far as jitter and misalignments. The presentation of mistakes in the ELI-NP GBS electron bar lines influences the electron bar quality at the IP bringing about emittance and vitality spread development and extensive transverse direction blunders. Extraordinary machine affectability ponderings have been performed so as to give the premise to the arrangement technique and jitter resistances [20].

Another beam direction idea for ultra-short pulse lasers is becoming the dominant focal point. In Munich, TRUMPF will show an innovation contemplate that can possibly change laser material handling with ultra-short heartbeat lasers. Right now, it is innovatively difficult to just send ultra-short laser beats down an adaptable glass fiber to the work piece – the laser beat is intense to the point that it pulverizes the glass fiber. Be that as it may, TRUMPF has another idea that gets around this issue and empowers better approaches to adaptably incorporate lasers into machines and offices. New diode laser innovation is another imaginative highlight. With it, TRUMPF is establishing the frameworks for green creation in mechanical assembling. In Munich, the laser pioneer will show a diode laser that is not just appropriate for traditional applications, for example, patching, solidifying and laser statement welding, yet can likewise deal with modern applications that

require significantly higher pillar quality. An unmistakable preferred standpoint of diode laser innovation is its high proficiency, which makes diode lasers to a great degree vitality proficient [21].

4. Quality Aspects of Laser Beam:

Investigate has been continuous in Quantum Cascade Lasers (QCLs) throughout the previous two decades, and QCLs have turned into the most engaging lucid light source in the mid-infrared range. They have ended up being a stable, effectively integrable, strong, productive and capable laser source working at room temperature. Broad-territory quantum course lasers with high yield forces are exceptionally attractive hotspots for different applications including infrared countermeasures. Nonetheless, such structures experience the ill effects of firmly decayed pillar quality because of multimode conduct, diffraction of light and self-centering. Quantum course lasers displaying superior exhibitions as far as power and warmth stack dissemination are accounted for and their reaction to a nonlinear control in light of optical input is considered. Applying optical input proficiently tailors the close field bar profile. Optical criticism can be utilized to counter the filamentation prompted downsides, without modifying other execution parts of the laser. Contrasted with interband lasers, QCLs have a low line width upgrade figure, which reduces the hazard for filamentation. In any case, applying optical input additionally enhances the pillar nature of BA QCLs, empowering them as appropriate hotspots for high power mid-infrared applications [22]. The enthusiasm of makers utilizing laser cutting is the improvement of the profitability and the resulting nature of segments made by the laser cutting procedure. Both viewpoints are represented by the determination of fitting laser prepare parameters, which are exceptional for every material and thickness. These parameters incorporate laser control, cutting pace and help gas parameter. These parameters are normally balanced and tuned to give the nature of cut wanted, yet this expends comprehensive measures of time and exertion and still great quality cutting conditions may not be found. Laser cut quality can't be effortlessly anticipated. This is because of the dynamic way of the laser cutting procedure, and it is especially certain when cutting ferrous combinations utilizing oxygen as a helping gas [23].

Specialists have demonstrated that jewel/diamond can fundamentally enhance the nature of high power laser bars, as per new photonics investigate distributed overnight in Laser and Photonics Reviews. A group from the Macquarie Photonics Research Center have shown this change by abusing optical communications inside a precious stone gem of length a few millimeters long (Fig.4). High quality lasers are expected to meet developing mechanical requests in applications as various as in materials preparing, ecological and remote detecting, and in barrier. The real preferred standpoint of utilizing precious stone is its extraordinary capacity to disperse warm – quicker than other optical materials and for transformation to be accomplished inactively in a little bundle. Lasers in this piece of the range are in incredible interest for applications that require field utilization of laser bars [24]. As of late there is an expansion in inquire about in the field of laser cutting procedure since laser machining offers an alluring substitute among all nonconventional machining because of enhanced finished result quality, minimal effort, short preparing time, smoothness and exact cuts, limit width and little warmth influenced zone. Heat affected zone (HAZ) of the laser cutting procedure might be created in light of blend of various variables. In this examination the HAZ anticipating, in light of the distinctive laser cutting parameters, was broke down. The principle objective was to foresee the HAZ as per three sources of info. The motivation behind this examination was to create and apply the Extreme Learning Machine (ELM) to anticipate the HAZ. The ELM comes about were contrasted and hereditary programming (GP) and manufactured neural system (ANN) [25].

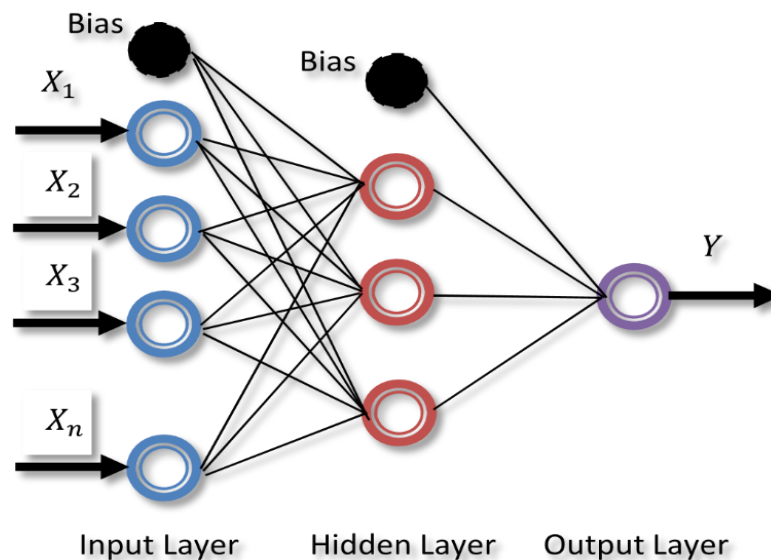


Figure 4: The topological structure of the extreme learning machine network [25]

The examination was set up a model of laser welding quality expectation in view of various information parameters. As the quality elements for the laser welding process lap-shear quality and weld-crease width were utilized. Laser control, welding speed, remain off separation and bracing weight were utilized as information parameters. Tests were utilized to secure the preparation information for the computational insight approaches. The outcomes from this examination could be utilized as benchmark brings about request to enhance the laser welding process. The principle objective of the article was to build up a calculation for nature of the laser welding process forecast in light of various info parameters (Fig.5). Weld quality and weld measurements were the fundamental yield components for the weld quality estimation. The laser welding quality forecast was mind boggling because of the many elements. In this manner in this examination was connected 600a computational knowledge procedure to beat the expectation challenges of the procedure. In view of the outcomes, SVR demonstrate beat ANN and GP display for the nature of the laser welding expectation [26].

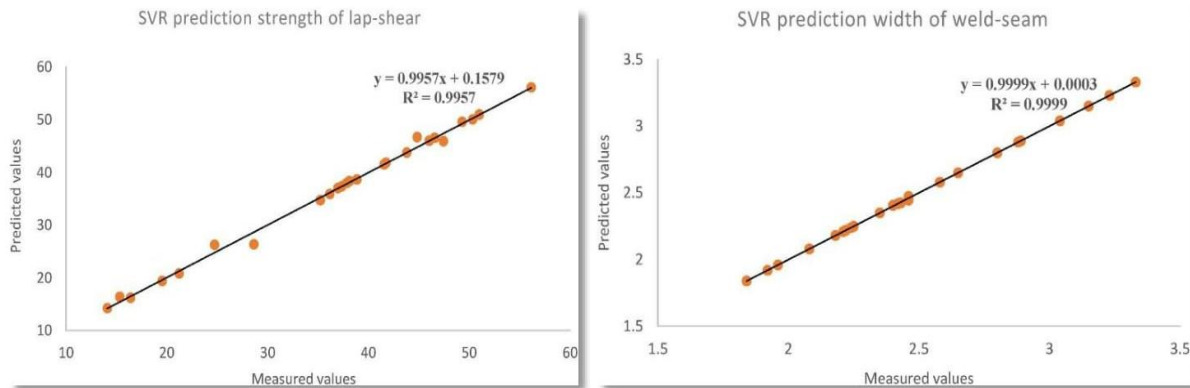


Figure 5: Prediction of strength of lap-shear and width of weld-seam [26]

The laser welding quality could be spoken to in connection to the dot geometry, mechanical properties and mutilation of the weld. Appropriate meaning of the information parameters is required so as to get characterized laser weld quality and it could be exceptionally tedious task [27]. Therefore in this investigation was connected an experimental philosophy to foresee the nature of laser welding process in light of the given info parameters. The fundamental objective in this investigation was to maintain a strategic distance from high nonlinearity of the scientific methodologies by utilizing computational insight technique. In this examination bolster vector relapse (SVR) was utilized to foresee the nature of laser welding process in view of various information parameters [28]. PVD-covered carbide devices are prescribed when contrasted with that of fired apparatuses having negative rake point as a result of their lower cost. In any case, it was therefore reasoned that a constrained speed of 30-50 m/min ought to be the ideal incentive in dry machining of Inconel 718 amalgam with a PVD covered carbide apparatus for giving the satisfactory surface quality [29].

5. Challenges in Laser Beam:

For as long as couple of decade's progression of molecule quickening agents has included inventive uses of lasers. Ultra short beats from a Ti:sapphire laser oscillator have been utilized as a part of an electro-optic method to noninvasively gauge picosecond timing jitter of ultra-short relativistic (29 GeV) electron groups at the SLAC National Accelerator Laboratory. Since its birthplace at investigate quickening agent offices around six decades back, particle shaft radiotherapy (IBRT) has advanced to an abnormal state of multifaceted nature and unwavering quality that can be basically ascribed to solid improvement of refined sources, pillar conveyance and imaging innovations and also other demonstrative systems. IBRT-significant proton (C_p6 particle) motor energies are in the range, 50–250 MeV. Conveyance in IBRT is a complex algorithmic process for which facilitated molecule vitality, vitality spread, directing and molecule number are very much controlled. ILDIAS advancement needs a procedure that directions no less than two parallel ways: [a] investigation of most elevated particle energies and change efficiencies at most noteworthy achievable 'on-target' powers at restricted (low) redundancy rates and [b] devoted inventive pillar line improvement at bring down particle energies and higher reiteration rates as a proving ground for redundancy evaluated targetry, optics and instrumentation and as an asset for new applications [30].

The viability of molecule quickening by a swaying electromagnetic field scales straightly with its wavelength which would favor be able to coordinate speeding up by microwave fields over laser fields for a given field plentifulness. For the TNSA instrument the collision less skin profundity at the laser wavelength is sufficiently little that objective entrance by the laser stays transient amid the whole heartbeat. Different ingestion/warming components add to hot electron era at the front (upstream) target surface. High portability and the augmented mean free way of hot electrons enable them to cross the thin target and escape at the back surface into vacuum to shape a plasma sheath [31]. Scope of laser sorts (CO₂, Nd:YAG, Nd:YVO₄) are experienced for boring metals yet the beat Nd:YAG is the main sort which is normally utilized for penetrating of

non-metals. High laser control (in kW) and high heartbeat recurrence (1–250 kHz) is for the most part required for boring procedure. In any case, low power can likewise be utilized with other parametric alterations. HAZ is dependably there in LBM and also in LAM. It is, constantly, a typical and undesirable trademark. Temperature conveyance and its estimation is basic to decide HAZ. This estimation is generally less demanding amid LAM than in LBM. There is much freedom for situating thermocouple or infrared camera amid LAM however LBM offers more limitations because of restricted place. Low MRR and short viewpoint proportion are as yet two notable disadvantages of LCM/E that ought to be tended to in future research. In spite of the fact that, the engraving rate is generally assessed by many research groups with a settled proportion of etchant and shifting states of laser parameters. Experimentation with shifting etchant fixations is once in a while announced. It might yield more enhanced outcomes particularly for high viewpoint proportion and MRR [32].

6. Conclusion:

Laser shaft is a one of a kind machining source which can cut materials by photo thermal forms, in which materials are isolated by controlled crack or privately evacuated by dissolve launch, vaporization or removal systems. In the liquefy and discharge process, a layer of soften is framed and reaches out through the work piece thickness, kerf is delivered after the dissolve is expelled by a pressurized gas jet. LBM is a machining procedure that can be utilized to machine any known material running from delicate materials to DTM materials. In spite of the fact that MRR is high, the material is evacuated at the cost surface quality. The surface quality is less because of the development of splashes and burrs which is unavoidable during the time spent LBM. Diminishing the laser control additionally essentially decreases the HAZ. Diminishing the power and expanding the sustain rate, diminishes the kerf width and the HAZ. As the cutting rate builds, the surface unpleasantness abatements and quality enhances when the other working parameters kept consistent. Different papers were gathered and considered, to discover Laser Beam Technologies and quality perspectives, in light of trial examines done by different creators. In spite of the fact that the inspected papers are generally in light of cutting of metals and combinations, it gives a characterized picture on the different parameters that influence the nature of the cut work-piece and in addition the cost demonstrating of LBM. LBM being an adaptable procedure, the different information parameters can be changed to enhance the surface quality, diminished HAZ and other yield parameters and is broadly utilized as a part of different businesses. Broad examines and trial contemplates are being performed in the field of LBM into request to enhance the procedure attributes such are recurrence of beat shafts, beam polarization, sustain rate, cutting speed and surface unpleasantness.

7. References:

1. Avanish Kumar Dubey, Laser beam machining—A review, *International Journal of Machine Tools & Manufacture*, ISSN: 0890-6955, 48, 2008, 609–628.
2. Milo J Madic and Miroslav R Radovanovic, Analysis of the Heat Affected Zone in CO₂ Laser Cutting of Stainless Steel, *Research Gate, Thermal Science*, 16 (2), 2012, S363-S373.
3. Rasmi Ranjan Behera, State of the art on Under Liquid Laser Beam Machining, 4th International Conference on Materials Processing and Characterization, Vol.2, 2015, 1731 – 1740.
4. Sai Paven. 2016. Laser Beam Machining Process, Applications, Advantages, Dis-advantages. *mechanicalbuzz.com*. [ONLINE] Available at: <http://mechanicalbuzz.com/laser-beam-machining-process-applications-advantages-disadvantages-1000.html>.
5. Avanish Kumar Dubey and Vinod Yadava, Experimental Study of Nd:YAG Laser Beam Machining- An Overview, *Elsevier Journal of Materials Processing Technology*, 195, 2008, 15–26.
6. Chithirai Pon Selvan, M, Laser Beam Machining: A Literature Review on Heat affected Zones, Cut Quality and Comparative Study, *European Journal of Advances in Engineering and Technology*, Vol.2 Issue.10, 2015, 70-76.
7. Uenohara T, et al, Laser micro machining beyond the diffraction limit using a photonic nanojet, *Elsevier CIRP Annals - Manufacturing Technology*, 2017
8. Prabhakaran, M, Experimental Investigation on Gas Laser Cutting, *International Journal of Advanced Research in Science and Engineering*, Vol.No.5, Issue No.08, 2016, 27-38.
9. Shilpesh Rajpurohit, R, Application of Full Factorial Design Experiments for Laser Cutting, *International Journal of Engineering & Science Research*, Volume-2/Issue-10/Article No-5, ISSN 2277-2685, 2012, 1432-1436.
10. Sagar Rajage, Effect of Laser Cutting Parameters on Surface Quality and Kerf Width of High carbon High-Chromium Steel (AISI D3), *International Journal of Innovative Research in Science and Engineering*, Vol.No.3, Issue 04, 2017, 571-580.
11. Argade, P. V, Parametric Investigations on CO₂ Laser Cutting of AISI 409 to Optimize Process Parameters by Taguchi method, *International Journal of Engineering Trends and Technology*, Volume 37, Number 6, ISSN: 2231-5381, 2016, 311-316.
12. Nikhil Bharadwaj, V.V.S, Importance of Laser Beam Drilling in Aeronautical Industry, *International Journal of Research in Aeronautical and Mechanical Engineering*, Vol.2 Issue.3, 2014, 2321-3051.

13. C. Leone, S. Genna, A. Caggiano, V. Tagliaferri, R. Moliterno, An Investigation on Nd:YAG Laser Cutting of Al 6061 T6 Alloy Sheet, 3rd CIRP Global Web Conference, 2015, pp. 64-69.
14. Guang Yang, Effect of laser beam configuration on microstructure evolution and Joint, Elsevier, Materials and Design, 2017, 197-211.
15. Junqi Shen, M, Comparison of single-beam and dual-beam laser welding of Ti-22Al-25Nb/TA15 dissimilar titanium alloys, Elsevier, Optics and Laser Technology 93, 2017, 118-126.
16. Daniel Stolte, 2014, New laser technology could divert lightning strikes, Phys.org News, [ONLINE] Available at: <https://phys.org/news/2014-04-laser-technology-lightning.html>.
17. Thefabricator.com, 2017, Global market for laser materials processing systems grows 6.8 percent in 2016, [ONLINE] Available at: <http://www.thefabricator.com/news/lasercutting/global-market-for-laser-materials-processing-systems-grows-6-8-percent-in-2016>.
18. Machining News, 2017, Quality water jet machine designed for five year performance warranty, [ONLINE] Available at: <http://www.machiningnews.com/2017/05/quality-waterjet-machine-designed-for-five-year-performance-warranty/>.
19. Thefabricator.com, 2017, Electron Beam Eng. approved for laser welding Airbus A320neo engine, [ONLINE] Available at: <http://www.thefabricator.com/news/laserwelding/electron-beam-eng-approved-for-laser-welding-airbus-a320neo-engine>.
20. Mosnier, Instabilities in linacs, CAS - CERN Accelerator School: 5th Advanced Accelerator Physics Course
21. Machining News, 2017, TRUMPF presents the future of laser technology in Munich, [ONLINE] Available at: <http://www.machiningnews.com/2017/05/trumpf-presents-the-future-of-laser-technology-in-munich/>.
22. Sharon Steely, 2017, Beam shaping of Quantum Cascade Lasers offers flexible solution for high quality mid-infrared sources, UNM Center for High Technology Materials, [ONLINE] Available at: <http://www.chtm.unm.edu/news/2017/03/grillot-and-international-team-publish-laser-beam-shaping-discovery.html>.
23. Huang Kuo-Cheng, Hsiao Wen-Tse, Hwang Chi-Hung, Lin Ru-Li, Yeh Jer-Liang Andrew, The laser ablation model development of glass substrate cutting assisted with the thermal fracture and ultrasonic mechanisms, Opt Lasers Eng 2015;67:31-5.
24. Joanna Wheatley, 2014, Diamond makes laser beams more brilliant, Phys.org News, [ONLINE] Available at: <https://phys.org/news/2014-05-diamond-laser-brilliant.html>.
25. Obrad Anicic, Prediction of laser cutting heat affected zone by extreme learning machine, Elsevier, Optics and Lasers in Engineering, 2016, 1-4.
26. Dalibor Petkovic, Prediction of laser welding quality by computational intelligence approaches. ELSEVIER, (Optik), 2017, 597-600.
27. Z. Wei, T. Tao, D. ZhuoShu, E. Zio, A dynamic particle filter-support vector regression method for reliability prediction, Reliab. Eng. Syst. Saf. 119, 2013, 109-116.
28. S. Ananthkrishnan, R. Prasad, D. Stallard, P. Natarajan, Batch-mode semi-supervised active learning for statistical machine translation, Comput. Speech Lang. 27, 2013, 397-406.
29. Akhtar W, Sun J, Sun P, Chen W, Saleem Z. Tool wear mechanisms in the machining of Nickel based super-alloys: A review, Front Mech Eng, 9(2), 2014, 106-19.
30. Paul Bolton, R, The integrated laser-driven ion accelerator system and the laser-driven ion beam radiotherapy challenge, Elsevier, Nuclear Instruments and Methods in Physics Research A, 2016, 149-155.
31. T. Esirkepov, et al., Physical Review Letters 92 (2004) 175003.
32. Darwish, S.M.H, Laser Beam Micro -Milling-Channels in Aerospace Alloys (Literature Review), Springer, ISBN: 978-981-10-3601-9, 2017, 15-100.